

Name _____
 Date _____ Period _____

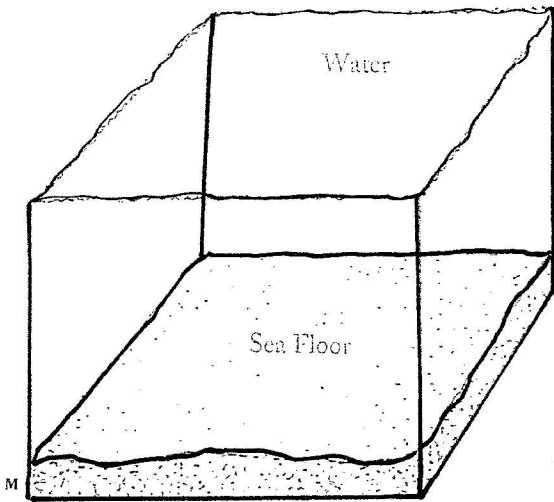
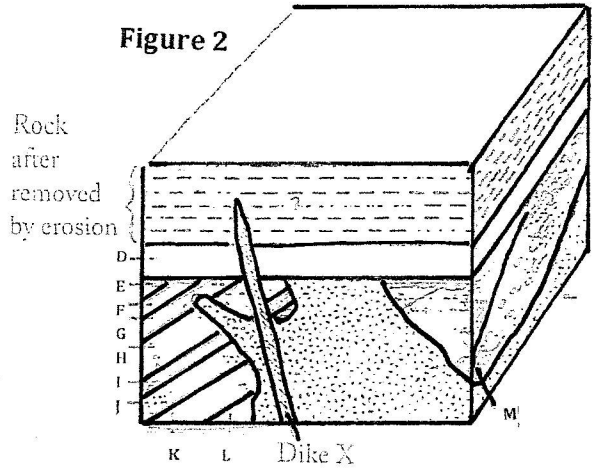
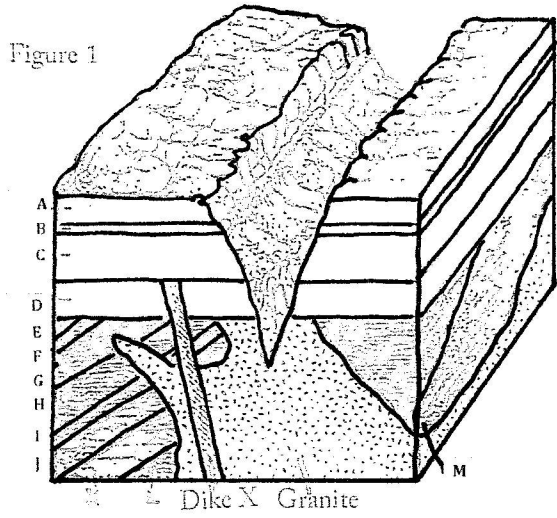


Figure 3

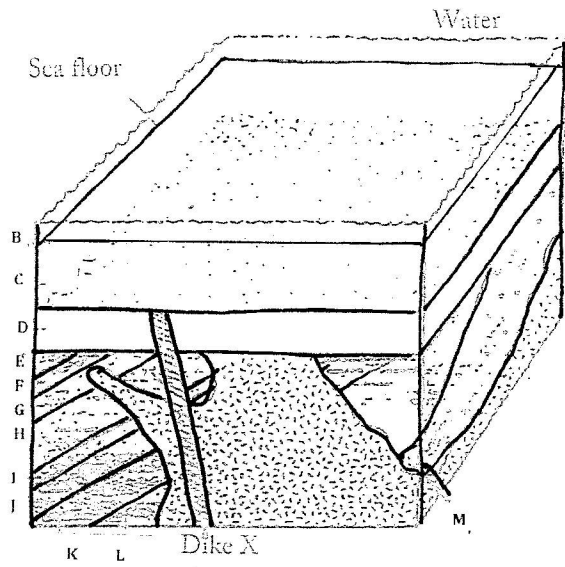


Figure 4

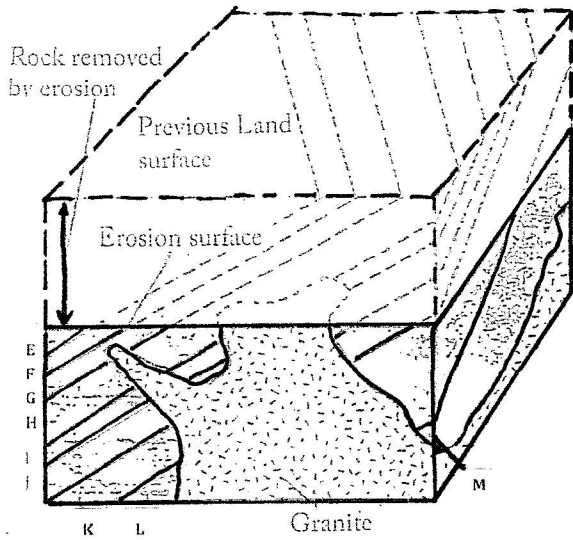


Figure 5

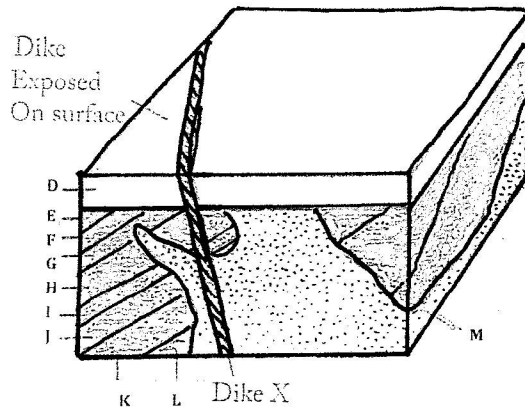


Figure 6

Name _____
 Date _____ Period _____

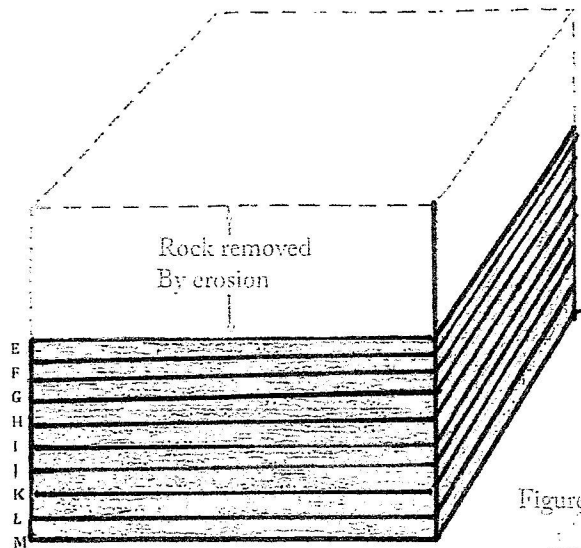


Figure 7

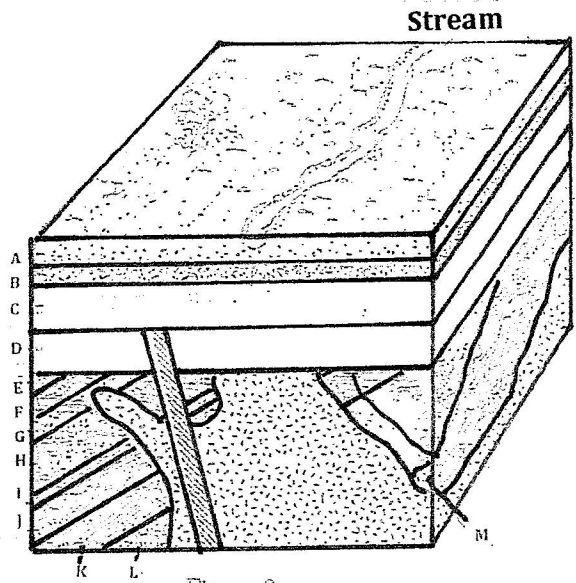


Figure 8

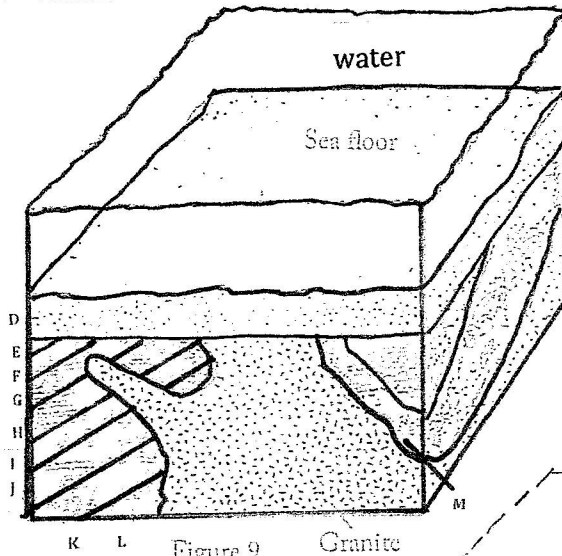


Figure 9

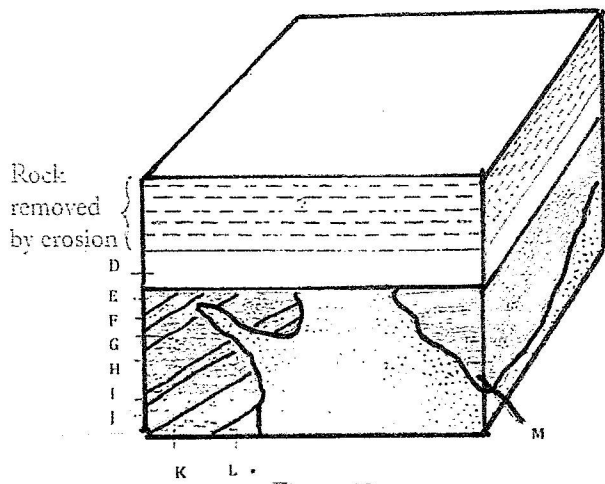


Figure 10

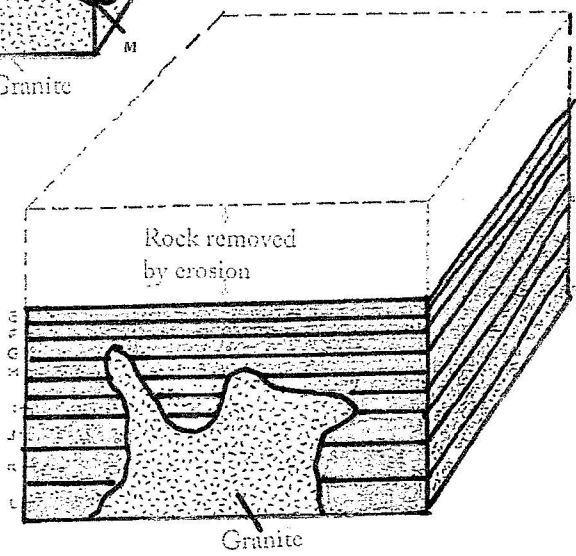


Figure 11